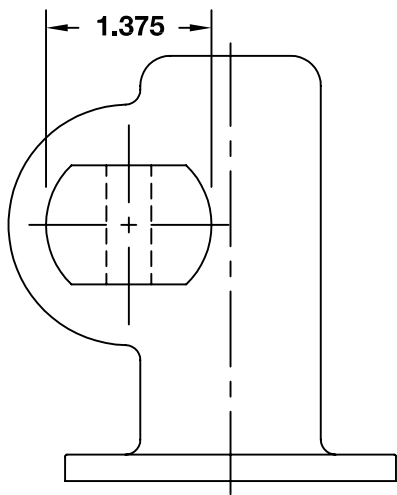
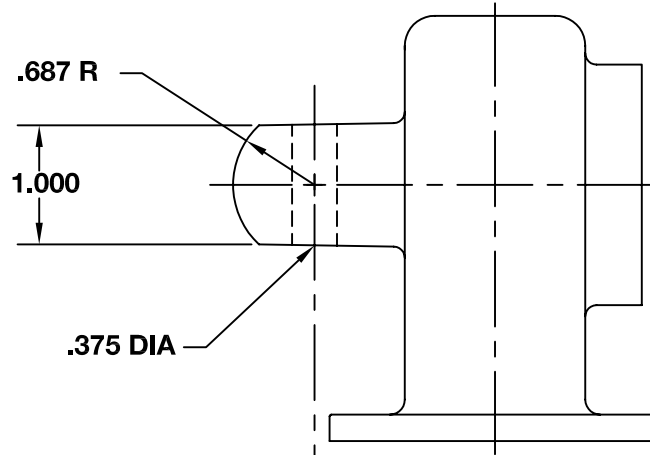


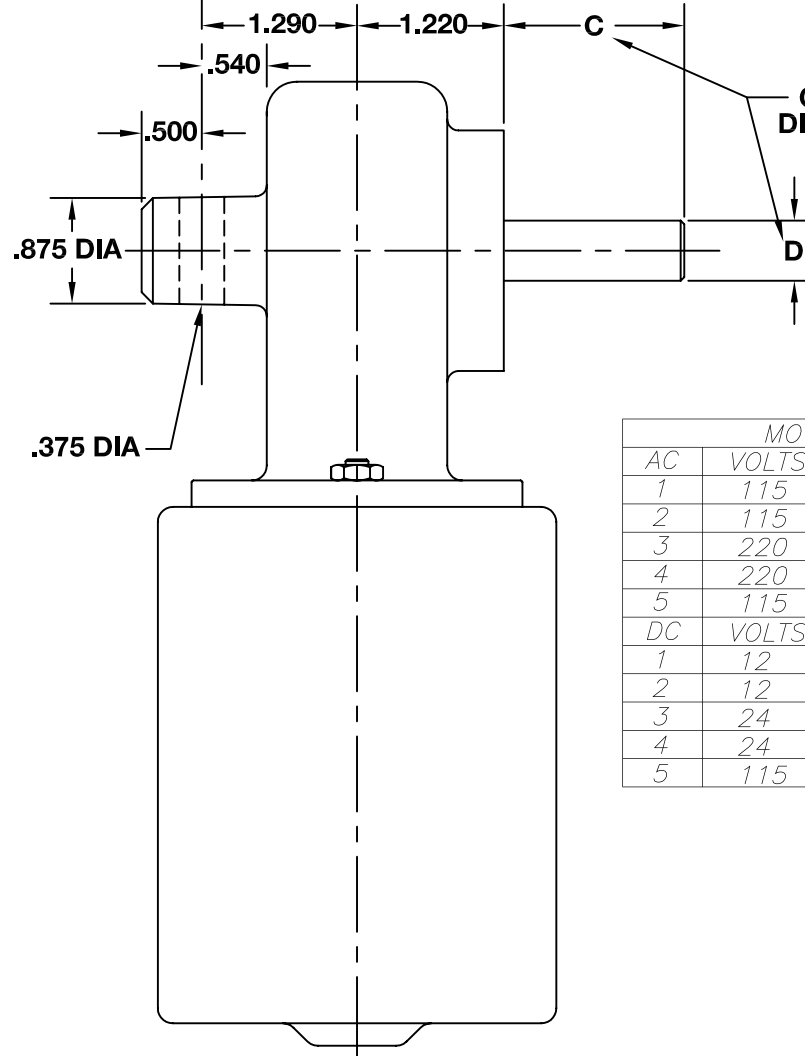
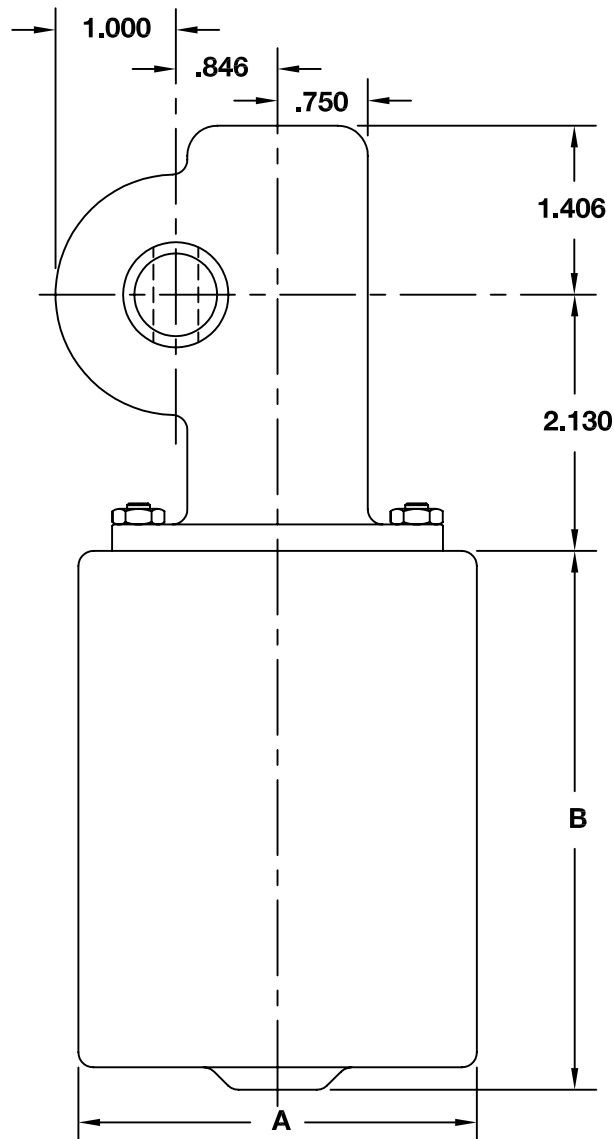
85150



ALTERNATE TYPE B MOUNT
(TYPE C AS ABOVE EXCEPT
90° ORIENTATION)



.210



CUSTOMER SUPPLIED
DIMENSIONS AND FEATURES

MOTOR DIMENSIONS				
AC	VOLTS	RPM	A	B
1	115	1500	3.310	4.590
2	115	3200	3.310	4.480
3	220	1500	3.310	4.590
4	220	3200	3.310	4.480
5	115	1500	3.375	4.590
DC	VOLTS	RPM	A	B
1	12	3000	3.000	4.718
2	12	6000	2.500	4.411
3	24	3000	3.000	4.718
4	24	6000	2.500	4.411
5	115	6000	2.500	4.661